



Eden Vanity with Shade

bc_edenvan_shade_spec.pdf



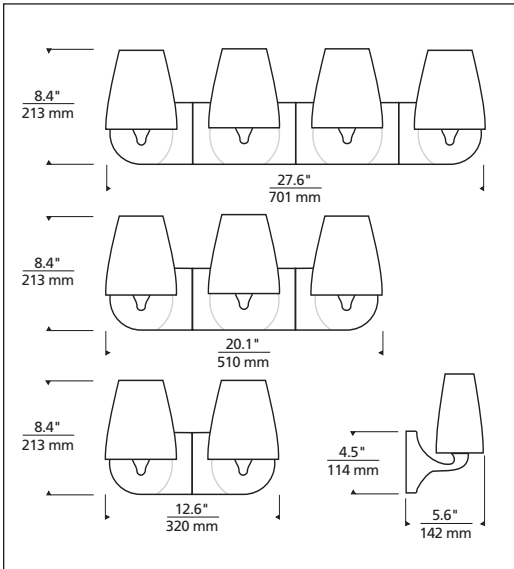
FROST
Shown approximately 20% actual size.

October 2003



TECH
Lighting[®]

Eden Vanity with Shade



DESCRIPTION

Case glass shades with reflective white interiors. Plated die cast base. Provides task and ambient light. Available in three sizes: double, triple or quad. All include transformer.

INSTALLATION

Mounts to a standard 4" square electrical box or an octagonal electrical box. For wall mount use only.

DIMMING

Dimmable with a standard incandescent dimmer (not included).

COLOR

Frost only.

FINISH

Chrome, gold, satin nickel.

LAMP

Double: Two low-voltage 12 volt halogen bi-pin lamps up to 50 watts each (includes two 50 watt bi-pin lamps with Pyrex glass shields).

Triple: Three low-voltage 12 volt halogen bi-pin lamps up to 50 watts each (includes three 50 watt bi-pin lamps with Pyrex glass shields).

Quad: Four low-voltage 12 volt halogen bi-pin lamps up to 50 watts each (includes four 50 watt bi-pin lamps with Pyrex glass shields).

WEIGHT

Double: 4.50 lb./2.03 kg.

Triple: 6.75 lb./3.04 kg.

Quad: 9.00 lb./4.05 kg.

ORDERING INFO:

700BCEDSDE	SIZE	COLOR	FINISH
	2 DOUBLE	W FROST	C CHROME
	3 TRIPLE		G GOLD
	4 QUAD		S SATIN NICKEL

700BCEDSDE _____

FIXTURE TYPE: _____

JOB NAME: _____



7401 North Hamlin T 847.410.4400
Skokie, Illinois 60076 F 847.410.4500

www.techlighting.com



Specifications subject to change without notice.