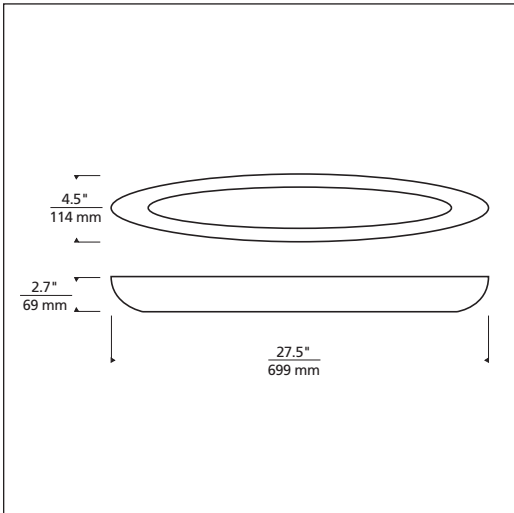




# Lynx



## DESCRIPTION

Elliptical shaped light bar with multi-layered white glass. Plated pressure formed frame. Provides task and ambient light. Includes electronic ballast. ADA compliant.

## INSTALLATION

Mounts to a standard 4" square electrical box or an octagonal electrical box. May also be mounted vertically. For wall mount use only.

## DIMMING

N/A.

## COLOR

White only.

## FINISH

Chrome, gold, satin nickel.

## LAMP

Two T5 linear fluorescent lamps up to 14 watts each. (3000° K lamps included).

## WEIGHT

7.00 lb./3.15 kg.

## ORDERING INFO:

700BCLYN28

FINISH

C CHROME  
G GOLD  
S SATIN NICKEL

**TECH**  
*Lighting*

7401 North Hamlin T 847.410.4400  
Skokie, Illinois 60076 F 847.410.4500  
[www.techlighting.com](http://www.techlighting.com)

700BCLYN28 \_\_\_\_\_

FIXTURE TYPE: \_\_\_\_\_

JOB NAME: \_\_\_\_\_



Specifications subject to change without notice.