

Cam

HEADS—LOW VOLTAGE



CAM
Shown approximately 75% actual size.

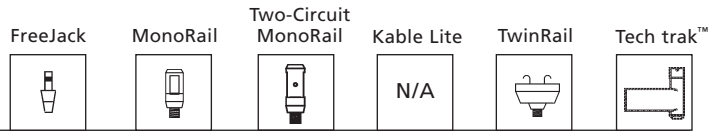
hds_cam_spec.pdf

September 2003

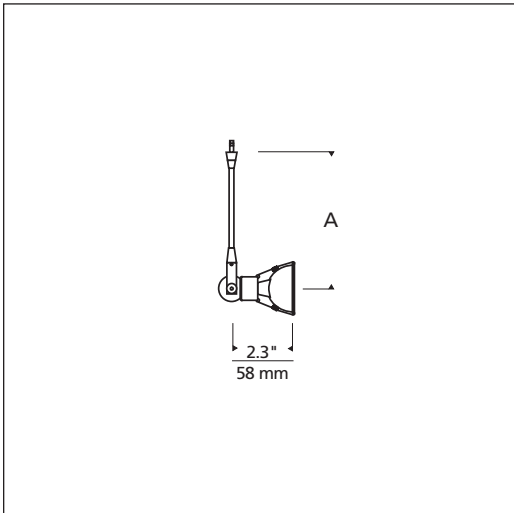
TECH
Lighting[®]

www.techlighting.com

Cam



HEADS—LOW VOLTAGE



Socket terminates with FreeJack male connector, which may be installed into a system connector. Elements ordered with a system prefix include a connector for that system.

DESCRIPTION

Clean-lined head rotates 360° around stem, pivots 340°.

SYSTEM

Available for FreeJack, MonoRail, Two-Circuit MonoRail, TwinRail and Tech trak™.

COLOR

None

FINISH

Chrome, gold, satin nickel.

TwinRail available in chrome only.

Tech trak available in satin nickel only.

LAMP

Low voltage MR16 lamp of up to 75 watts (*not included*).

ACCESSORIES AND OPTICAL CONTROLS

None

WEIGHT

0.26-0.86 lb./0.12-0.39 kg

ORDERING INFO:

| 700 | SYSTEM | CAM | LENGTH (A) | FINISH |
|-----|----------------------------------|-----|------------|----------|
| | FJ FREEJACK | | 03 3" | C CHROME |
| | MO MONORAIL | | 06 6" | G GOLD |
| | MO2 TWO-CIRCUIT MONORAIL | | 12 12" | S SATIN |
| | TW TWINRAIL | | 18 18" | |
| | TT TECH TRAK (SATIN NICKEL ONLY) | | | |

700 _____ CAM _____

FIXTURE TYPE: _____

JOB NAME: _____



7401 North Hamlin T 847.410.4400
Skokie, Illinois 60076 F 847.410.4500

www.techlighting.com



Specifications subject to change without notice.