

Curly Raindrop

HEADS—LOW VOLTAGE



COBALT
Shown approximately 60% actual size.



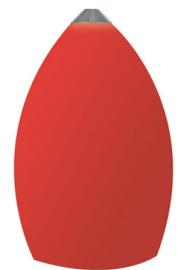
AMBER



APRICOT



FROST

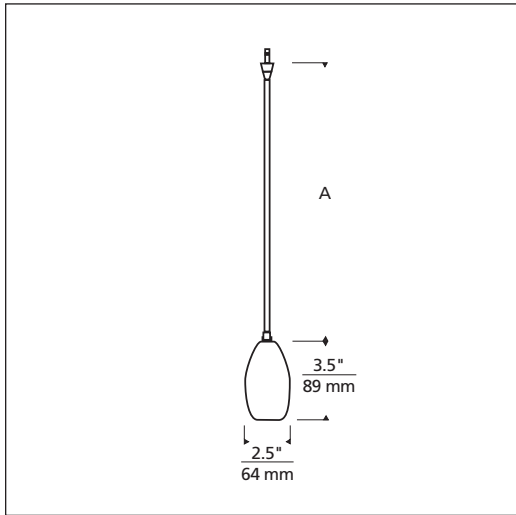
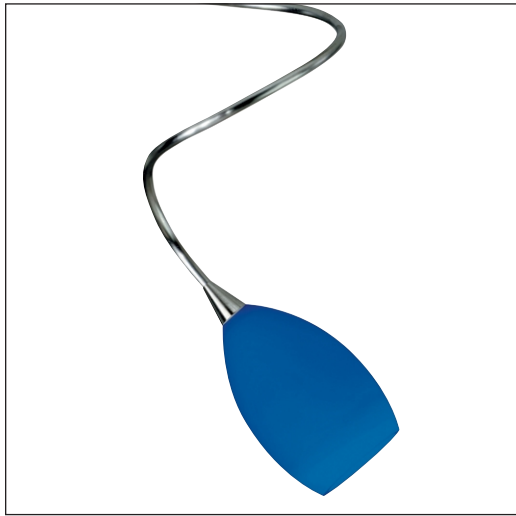
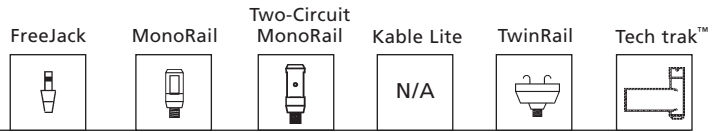


RED

TECH
Lighting[®]

Curly Raindrop

HEADS—LOW VOLTAGE



Socket terminates with FreeJack male connector, which may be installed into a system connector. Elements ordered with a system prefix include a connector for that system.

DESCRIPTION

Raindrop glass on a hand-bendable stem.

SYSTEM

Available for FreeJack, MonoRail, Two-Circuit MonoRail, TwinRail and Tech trak™.

COLOR

Amber, apricot, cobalt, frost, red

FINISH

Chrome, satin nickel.
TwinRail available in chrome only.
Tech trak available in satin nickel only.

LAMP

Low-voltage 12 or 24 volt halogen bi-pin of up to 50 watts (includes 50 watt bi-pin with Pyrex glass shield).

ACCESSORIES AND OPTICAL CONTROLS

None

WEIGHT

0.94–2.28 lb./0.42-1.04 kg.



7401 North Hamlin T 847.410.4400
Skokie, Illinois 60076 F 847.410.4500

www.techlighting.com

ORDERING INFO:

700	SYSTEM	CRD	COLOR	LENGTH (A)	FINISH	VOLTAGE
FJ	FREEJACK	M	AMBER	06 6"	C CHROME	12 VOLT
MO	MONORAIL	A	APRICOT	12 12"	S SATIN NICKEL	24 24 VOLT
MO2	TWO-CIRCUIT MONORAIL	B	COBALT	18 18"		
		F	FROST	24 24"		
TW	TWIN RAIL	R	RED	36 36"		
TT	TECH TRAK			48 48"		
	(SATIN NICKEL ONLY)			60 60"		

700 _____ CRD _____

FIXTURE TYPE: _____

JOB NAME: _____



Specifications subject to change without notice.