

Curly Torpedo

HEADS—LOW VOLTAGE

hds_curlytorpedo_spec.pdf



CURLY TORPEDO WITH
TINKERBELL ACCESSORY
Shown approximately 35% actual size.



CURLY TORPEDO WITH
BELLADONNA ACCESSORY



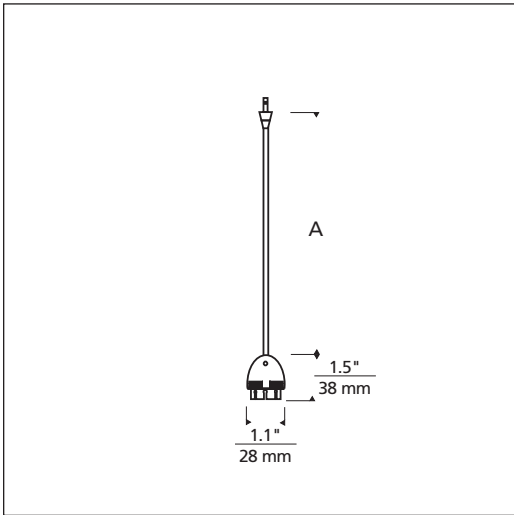
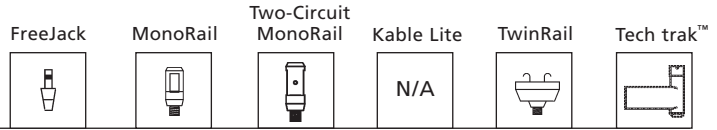
CURLY TORPEDO WITH
METEORITE ACCESSORY

September 2003

TECH
Lighting[®]

Curly Torpedo

HEADS—LOW VOLTAGE



Socket terminates with FreeJack male connector, which may be installed into a system connector. Elements ordered with a system prefix include a connector for that system.

DESCRIPTION

Sleek head with multiple accessory options on hand-bendable stem.

SYSTEM

Available for FreeJack, MonoRail, Two-Circuit MonoRail, TwinRail and Tech trak™.

COLOR

None

FINISH

Chrome, satin nickel.
TwinRail available in chrome only.
Tech trak available in satin nickel only.

LAMP

Low-voltage MR16 lamp of up to 50 watts (*not included*).
See accessory for maximum wattage lamp usage.

ACCESSORIES AND OPTICAL CONTROLS

Required: Round, Cone or Prism Glass Shield, Belladonna, Bell, Tinkerbell, Lil Egypt, Meteorite, Moonlet or Droplet (sold separately). See accessory for maximum wattage lamp usage.

WEIGHT

0.70–1.20 lb./0.32-0.54 kg.

ORDERING INFO:

700	SYSTEM	CTOR	LENGTH (A)	FINISH
	FJ FREEJACK		06 6"	C CHROME
	MO MONORAIL		12 12"	S SATIN NICKEL
	MO2 TWO-CIRCUIT MONORAIL		18 18"	
			24 24"	
	TW TWINRAIL		36 36"	
	TT TECH TRAK		48 48"	
	(SATIN NICKEL ONLY)		60 60"	

700 _____ CTOR _____

FIXTURE TYPE: _____

JOB NAME: _____



7401 North Hamlin T 847.410.4400
Skokie, Illinois 60076 F 847.410.4500

www.techlighting.com



Specifications subject to change without notice.