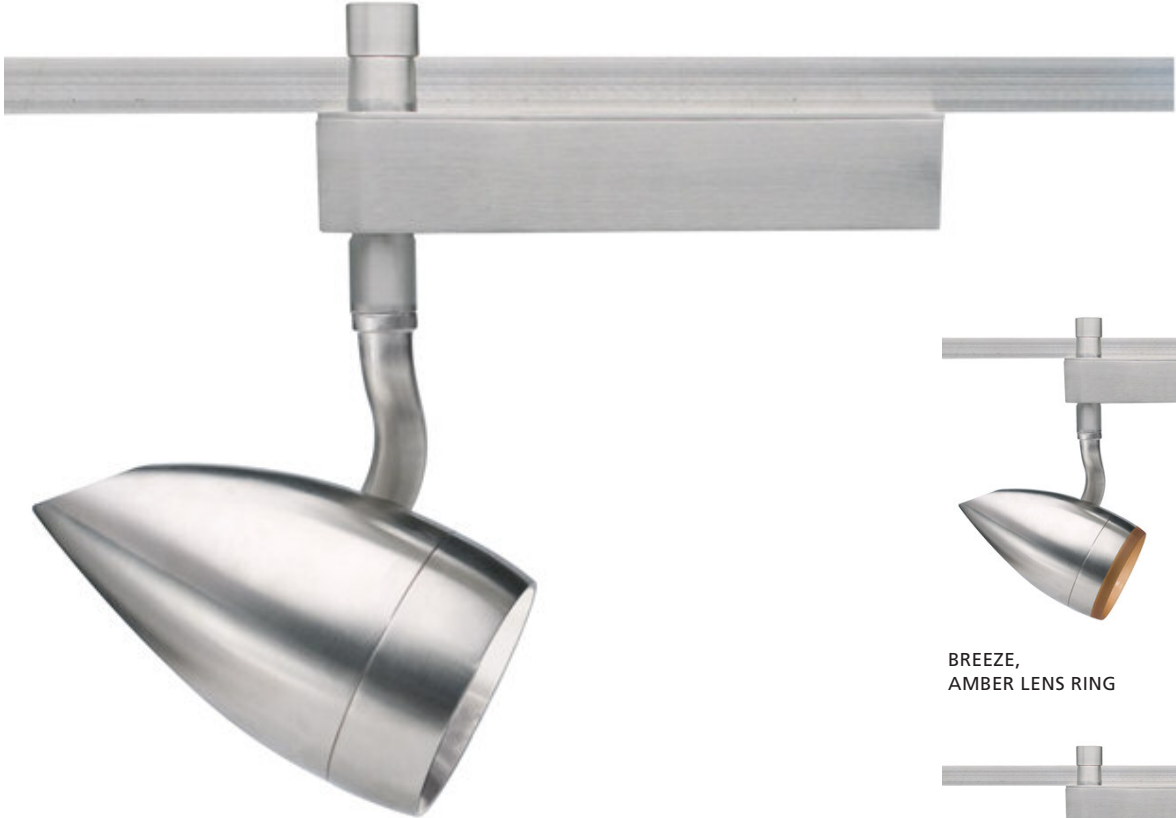


Breeze with Ceramic Metal Halide PAR

HEADS—LINE VOLTAGE



BREEZE,
SATIN NICKEL LENS RING
Shown approximately 30% actual size.



BREEZE,
AMBER LENS RING

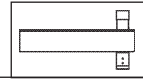


BREEZE,
COBALT LENS RING



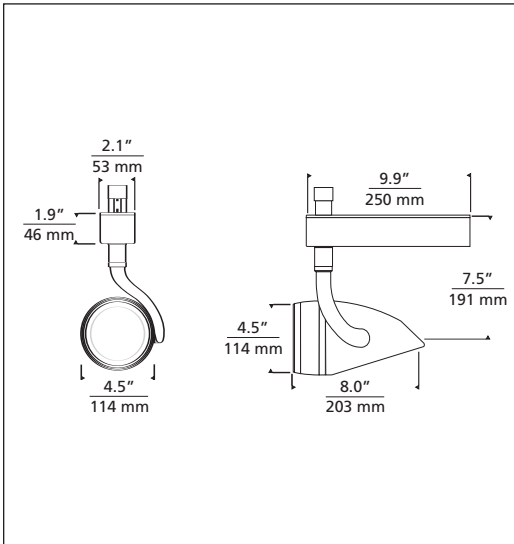
BREEZE,
FROST LENS RING





Breeze with Ceramic Metal Halide PAR

HEADS—LINE VOLTAGE



DESCRIPTION

Organic shaped die cast aluminum head, pivots vertically 180°, rotates horizontally 350°. Features vertical and horizontal locking mechanisms and optional glass lens ring.

SYSTEM

Available for T~trak™ only.

COLOR

Satin nickel body with amber, cobalt, frost or satin nickel lens ring

FINISH

Satin nickel

BALLAST

Includes Aromat energy-saving electronic ballast in slim aluminum die cast housing only 2" x 2" x 10". Input voltage 120v 50/60 hertz, THD <10%.

LAMP

120 volt ceramic metal halide PAR30 Long lamp up to 70 watts (lamp not included).

OPTICAL CONTROLS

Holds up to two, sold separately: Eggcrate Louver, Glass Lens

WEIGHT

5.35 lb./2.41 kg.

TECH
Lighting®

7401 North Hamlin T 847.410.4400
Skokie, Illinois 60076 F 847.410.4500

www.techlighting.com

ORDERING INFO:

700TTBZC	TYPE	WATTAGE	LENS RING	FINISH
30L	PAR30 LONG	3 39 WATT 7 70 WATT	A AMBER B COBALT F FROST S SATIN NICKEL	S SATIN NICKEL

700TTBZC _____

FIXTURE TYPE: _____

JOB NAME: _____



Specifications subject to change without notice.