

Gamma with Ceramic Metal Halide T4

HEADS—LINE VOLTAGE



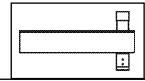
GAMMA
Shown approximately 35% actual size.



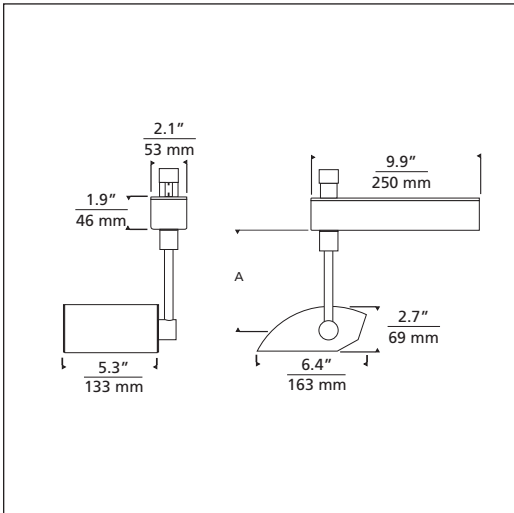
tt_hds_gamma_cmht4_spec.pdf

October 2004

TECH
Lighting[®]



HEADS—LINE VOLTAGE



DESCRIPTION

Compact extruded aluminum wall wash, pivots vertically 180°, rotates horizontally 350°. Features vertical and horizontal locking mechanisms. Specular asymmetric wall wash reflector optimized for uniform light distribution.

SYSTEM

Available for T~trak™ only.

COLOR

None

FINISH

Satin nickel

BALLAST

Includes Aromat energy-saving electronic ballast in slim aluminum die cast housing only 2"x 2"x 10". Input voltage 120v 50/60 hertz, THD <10%.

LAMP

120 volt ceramic metal halide T4.5 lamp with G8.5 base up to 70 watts (lamp not included).

OPTICAL CONTROLS

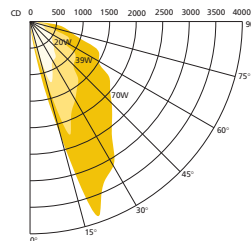
Includes UV filtering glass lens (see transmission characteristics below).

WEIGHT

4.35-4.65 lb./1.96-2.09 kg.

PHOTOMETRIC DATA

Gamma with Ceramic Metal Halide T4
Candela Distribution



UV LENS ULTRAVIOLET

TRANSMISSION CHARACTERISTICS

WAVELENGTH, NANOMETERS	MAXIMUM TRANSMISSION, PERCENT
350	85
320	40
300	8
290	0.5
<280	0.1

TECH
Lighting®

7401 North Hamlin T 847.410.4400
Skokie, Illinois 60076 F 847.410.4500

www.techlighting.com

ORDERING INFO:

700TTGMT4	WATTAGE	LENGTH (A)	FINISH
	2 20 WATT	03 5.5"	S SATIN NICKEL
	3 39 WATT	06 8"	
	7 70 WATT	12 14"	
		18 20"	

700TTGMT4 _____

FIXTURE TYPE: _____

JOB NAME: _____



Specifications subject to change without notice.