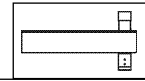


## Spot with Ceramic Metal Halide PAR

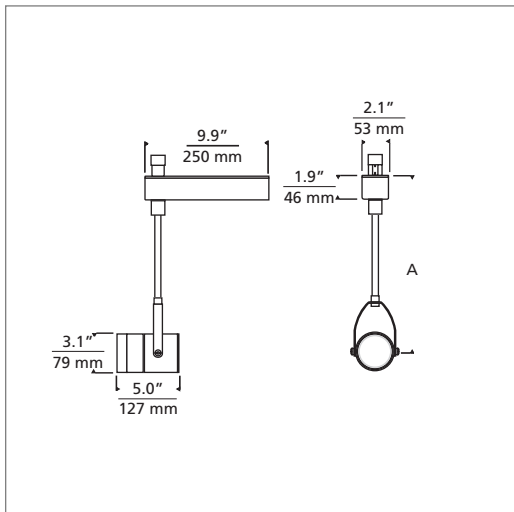


SPOT, PAR20  
*Shown approximately 40% actual size.*

# Spot with Ceramic Metal Halide PAR



## HEADS—LINE VOLTAGE



### DESCRIPTION

Classic die cast aluminum head, pivots vertically 180°, rotates horizontally 350°. Features vertical and horizontal locking mechanisms.

### SYSTEM

Available for T~trak™ only.

### COLOR

None

### FINISH

Satin nickel

### BALLAST

Includes Aromat energy-saving electronic ballast in slim aluminum die-cast housing only 2" x 2" x 10". Input voltage 120v 50/60 hertz, THD <10%.

### LAMP

120 volt ceramic metal halide PAR20 lamp up to 39 watts (lamp not included).

### OPTICAL CONTROLS

Holds up to two, sold separately: Eggcrate Louver, Glass Lens

### WEIGHT

PAR20: 3.10 lb./1.40 kg.

### ORDERING INFO:

700TTSPTC	TYPE	WATTAGE	LENGTH (A)	FINISH
	20 PAR20	3 39 WATT	08 8.5" 12 12" 18 18"	S SATIN NICKEL

700TTSPTC \_\_\_\_\_

FIXTURE TYPE: \_\_\_\_\_

JOB NAME: \_\_\_\_\_

**TECH**  
*Lighting*®

7401 North Hamlin T 847.410.4400  
Skokie, Illinois 60076 F 847.410.4500

[www.techlighting.com](http://www.techlighting.com)



Specifications subject to change without notice.