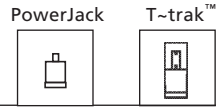
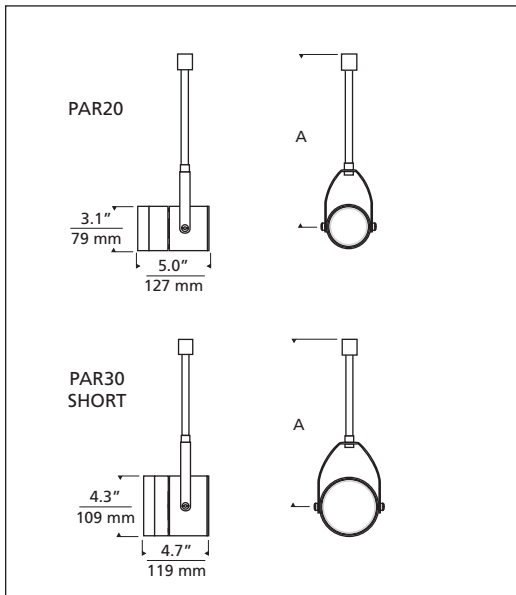




# Spot with Incandescent PAR



## HEADS—LINE VOLTAGE



Head terminates with PowerJack connector, which may be installed into a system connector. Elements ordered with a system prefix include a connector for that system.

Type	A (08 LENGTH)
PAR20	6.5" (165 mm)
PAR30 SHORT	7.3" (185 mm)



7401 North Hamlin T 847.410.4400  
Skokie, Illinois 60076 F 847.410.4500

www.techlighting.com



Specifications subject to change without notice.

### DESCRIPTION

Classic die cast aluminum head, pivots vertically 180°, rotates horizontally 350°. Features vertical and horizontal locking mechanisms. Dimmable with standard incandescent dimmer.

### SYSTEM

Available for PowerJack and T-trak™.

### COLOR

None

### FINISH

Satin nickel

### LAMP

120 volt incandescent PAR20 lamp up to 50 watts;  
PAR30 Short lamp up to 75 watts (lamp not included).

### OPTICAL CONTROLS

Holds up to two, sold separately: Eggcrate Louver, Glass Lens

### WEIGHT

PAR20: 1.80 lb./0.81 kg.  
PAR30: 3.30 lb./2.67 kg.

### ORDERING INFO:

700	SYSTEM	SPT	TYPE	LENGTH (A)	FINISH
	PJ POWERJACK	20	PAR20	08 SEE CHART	S SATIN NICKEL
	TT T-TRAK	30S	PAR30 SHORT	12 12"	
		18	18"		

700 \_\_\_\_\_ SPT \_\_\_\_\_

FIXTURE TYPE: \_\_\_\_\_

JOB NAME: \_\_\_\_\_