

PowerJack Canopy



DESCRIPTION

PowerJack canopy mounts directly to a ceiling junction box to power an incandescent PowerJack head. Each PowerJack element can be used up to its specified wattage (see elements and accessories for details.)

INSTALLATION

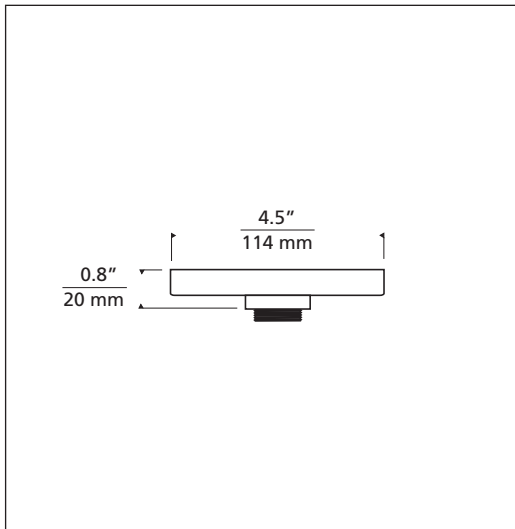
Mounts to a standard 4" ceiling junction box (provided by electrician).

FINISH

Black, satin nickel, white

WEIGHT

0.90 lb./0.41 kg.



tt_pwrjack_canopy_spec.pdf

May 2004



7401 North Hamlin T 847.410.4400
 Skokie, Illinois 60076 F 847.410.4500
www.techlighting.com



Specifications subject to change without notice.

ORDERING INFO:

700PJCINC

FINISH

- B** BLACK
- S** SATIN NICKEL
- W** WHITE

700PJCINC _____

FIXTURE TYPE: _____

JOB NAME: _____