

Port

wc_port_spec.pdf

October 2003



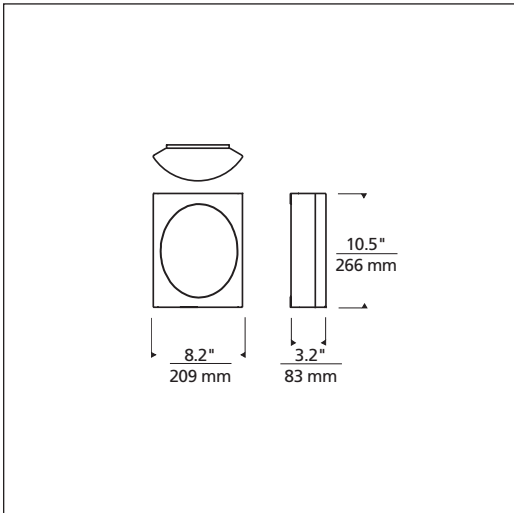
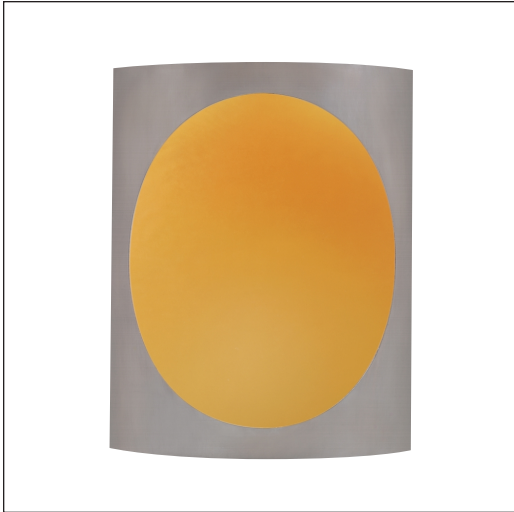
FROST
Shown approximately 45% actual size.



AMBER

TECH
Lighting[®]

Port



DESCRIPTION

Frost or colored case glass shield within plated frame. Includes either transformer (halogen version) or electronic ballast (compact fluorescent version). ADA compliant.

INSTALLATION

Mounts to a standard 4" square or octagonal junction box. For wall mount use only.

DIMMING

Halogen dimmable with a standard incandescent dimmer (not included).

COLOR

Amber, frost.

FINISH

Chrome, gold, satin nickel.

LAMP

Halogen: Two low-voltage, 12 volt halogen bi-pin lamps, up to 35 watts each, with Pyrex glass shields (included).

Compact Fluorescent: Two 13 watt twin-tube T8 base lamps (included).

WEIGHT

9.50 lb./4.28 kg.

ORDERING INFO:

700WSPOR	COLOR	FINISH	LAMP
A	AMBER	C CHROME	HALOGEN
F	FROST	G GOLD	-CF COMPACT FLUORESCENT
S	SATIN NICKEL		

TECH
Lighting

7401 North Hamlin T 847.410.4400
Skokie, Illinois 60076 F 847.410.4500
www.techlighting.com

700WSPOR _____

FIXTURE TYPE: _____

JOB NAME: _____



Specifications subject to change without notice.